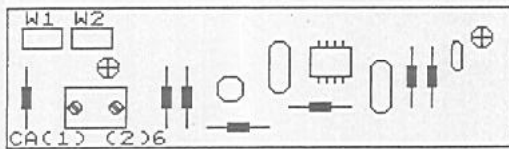




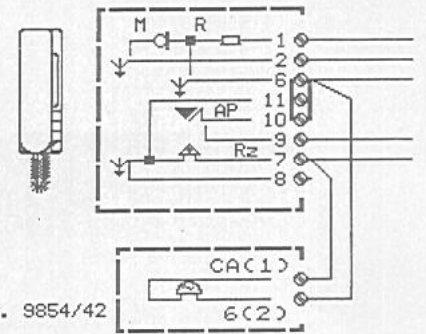
Soneria supplementare tritonale
 Add. 3-tones buzzer
 Sch./Ref. 9854/42



Suono Chime	W1	W2
Monotonale Single tone		X
Bitonale Dual tone	X	
Tritonale Tree tones	X	X

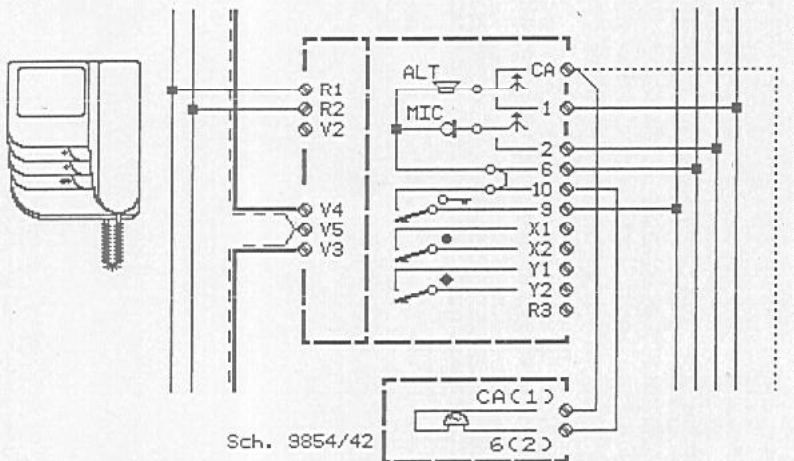
X = ponticello inserito
 X = jumper on

Mod. 1130



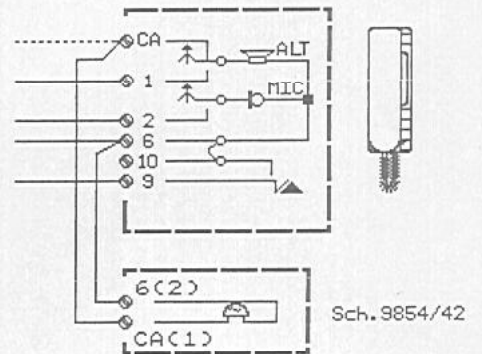
Sch. 9854/42

Mod. Scout coax



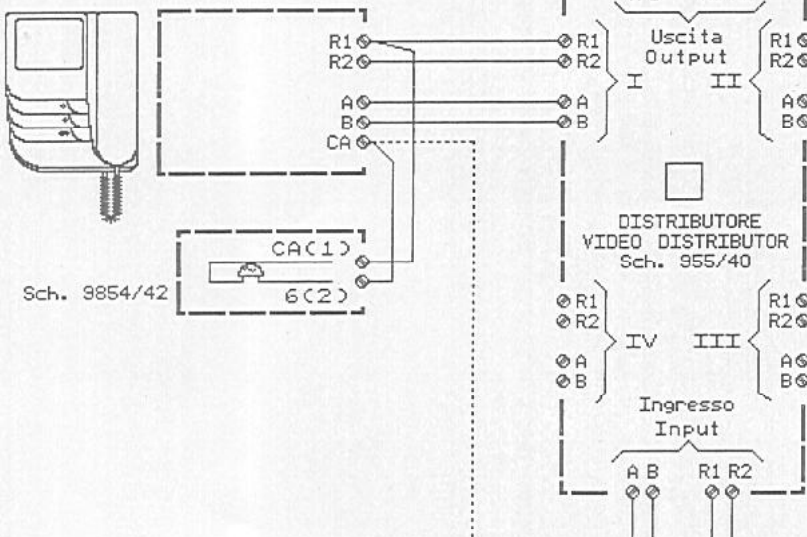
Sch. 9854/42

Mod. 1131



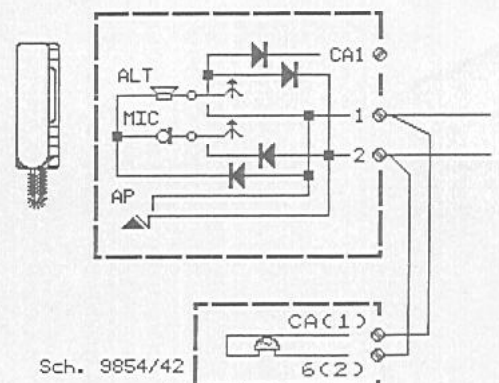
Sch. 9854/42

Mod. Scout
 5 fili (5 wires)



Sch. 9854/42

Mod. 1131/35



Sch. 9854/42