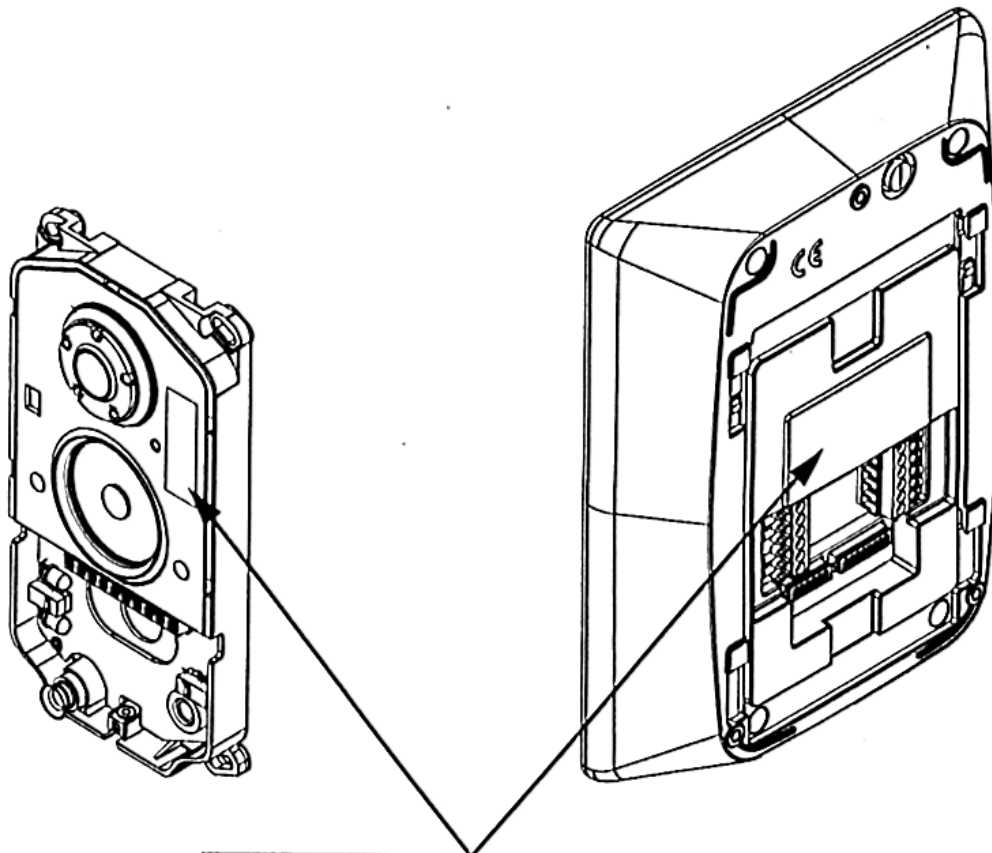
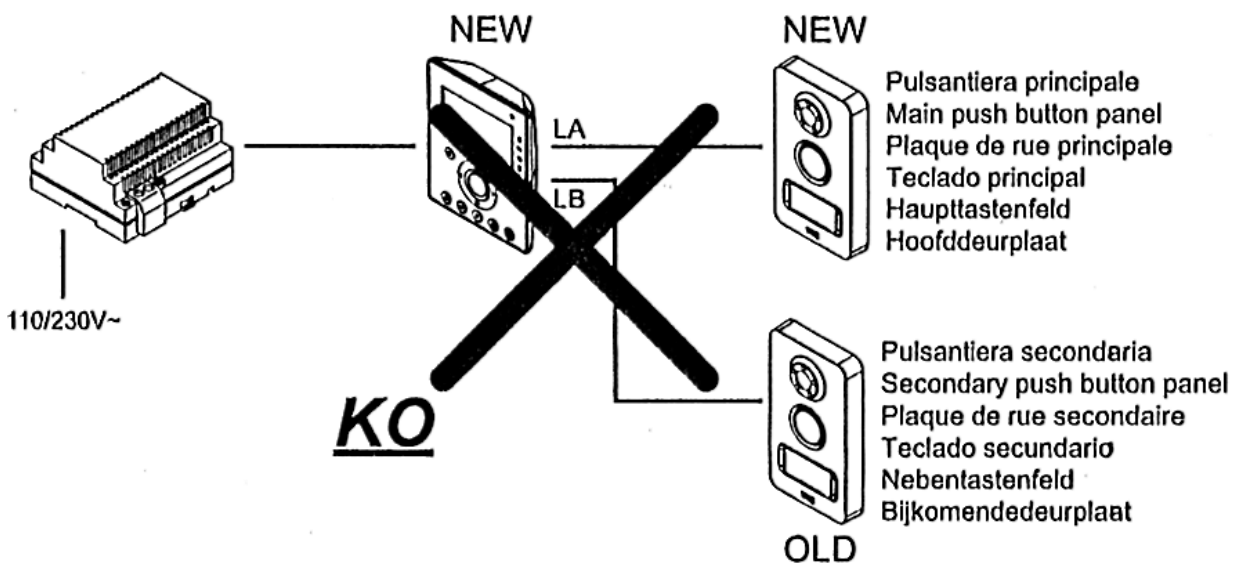
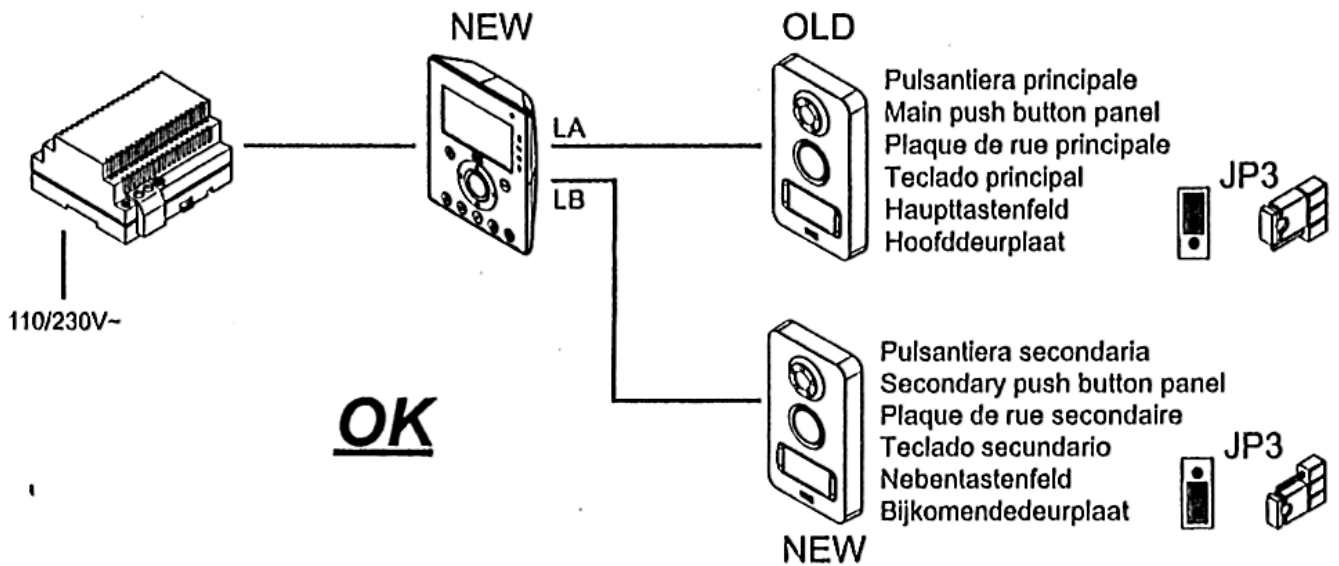
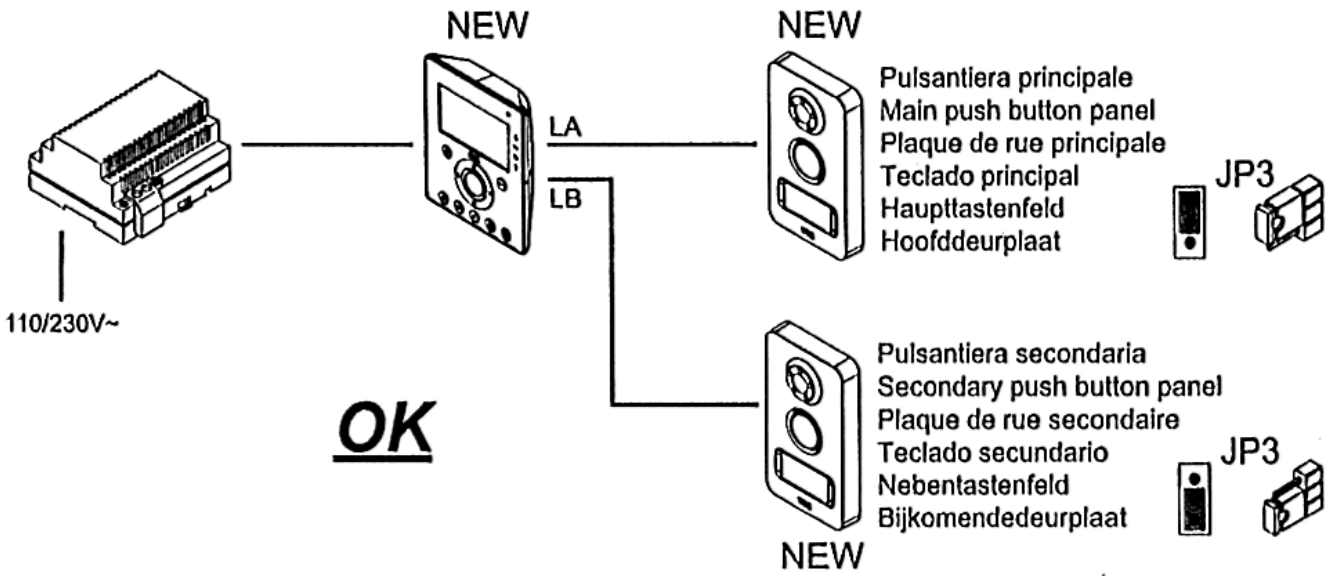
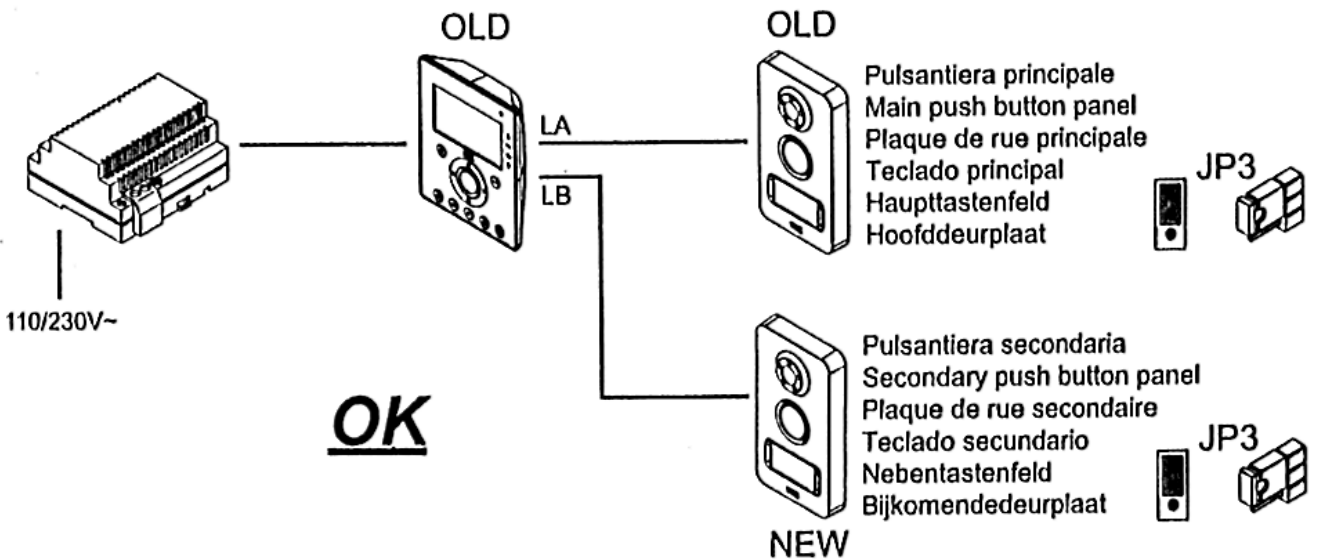
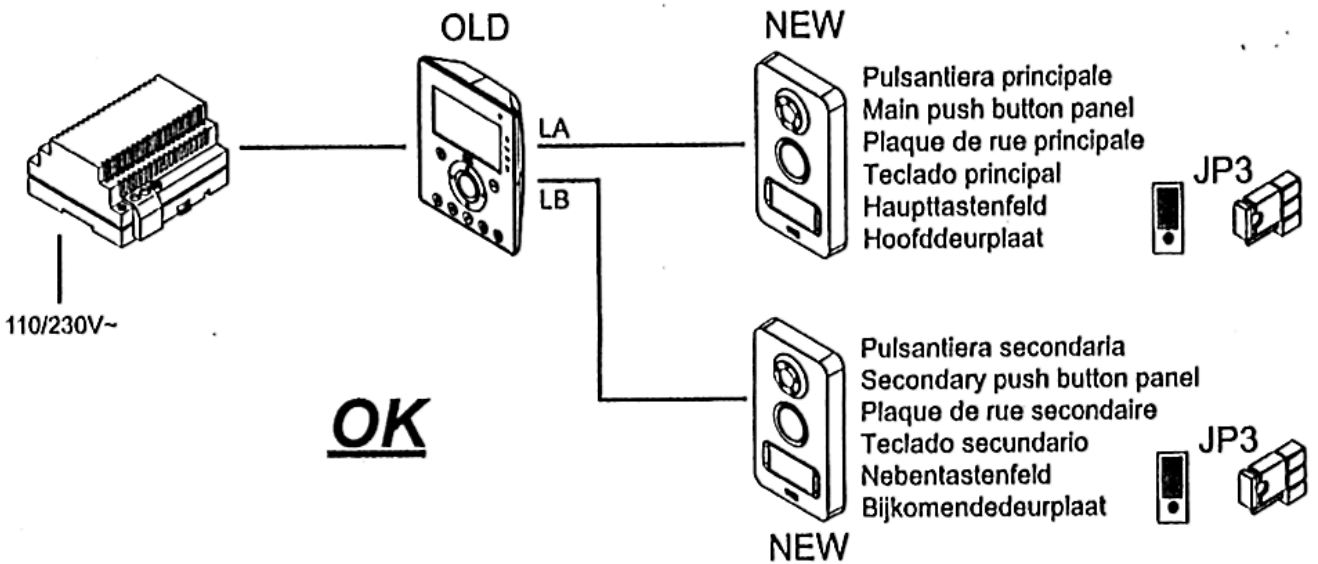
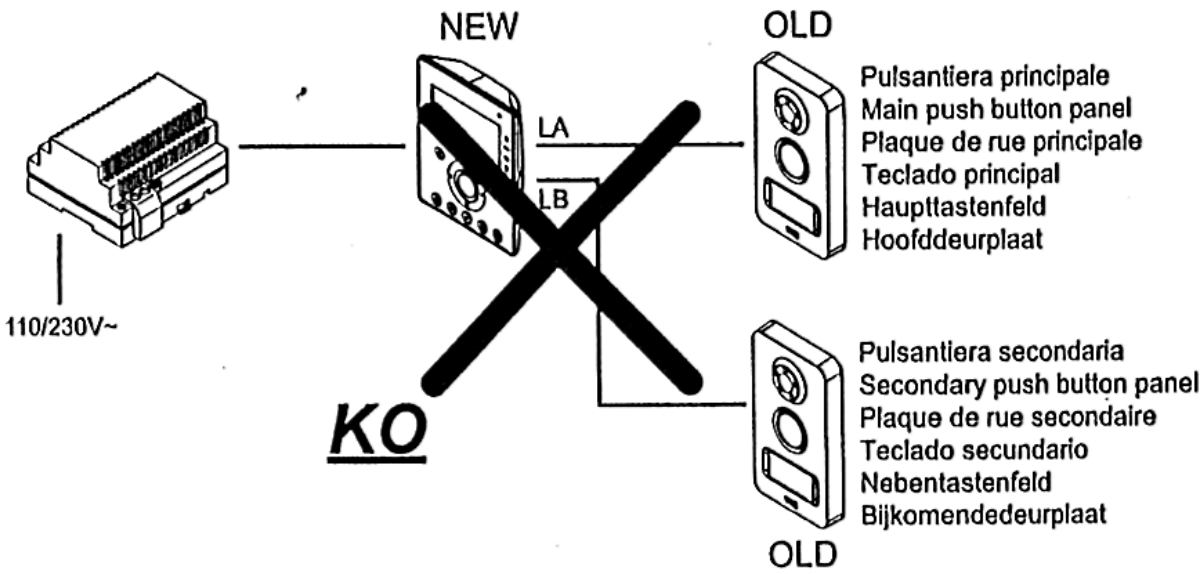


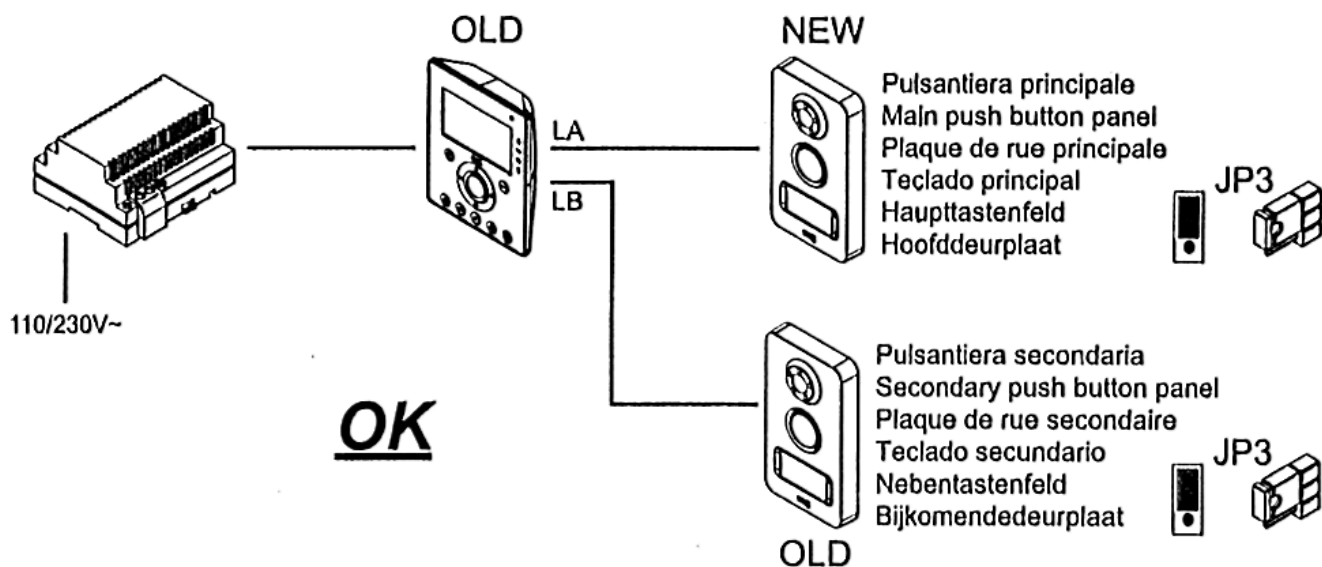
## ADDENDUM



etichetta gialla yellow label étiquette jaune etiqueta amarilla Gelbes Etikett geel label	NEW
etichetta bianca white label étiquette blanc etiqueta blanca Weiß Etikett wit label	OLD







DS 1722-050

URMET S.p.A.  
10154 TORINO (ITALY)  
VIA BOLOGNA 188/C

Telef. +39 011.24.00.000 (RIC. AUT.)  
Fax +39 011.24.00.300 - 323

**urmet**

LBT 8790

Area tecnica  
servizio clienti +39 011.23.39.810  
<http://www.urmet.com>  
e-mail: [info@urmet.com](mailto:info@urmet.com)